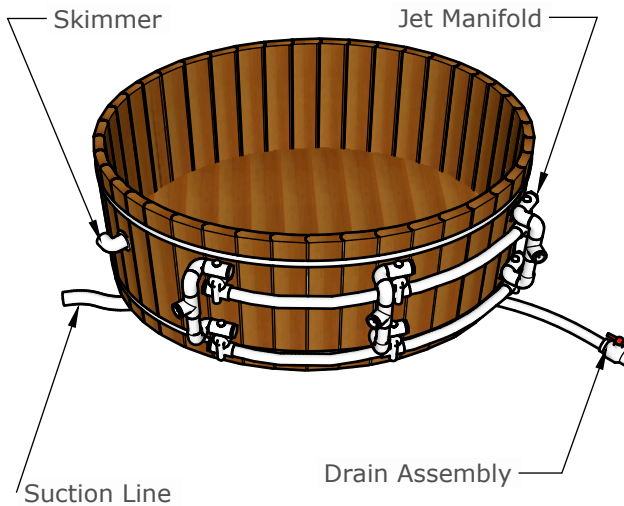
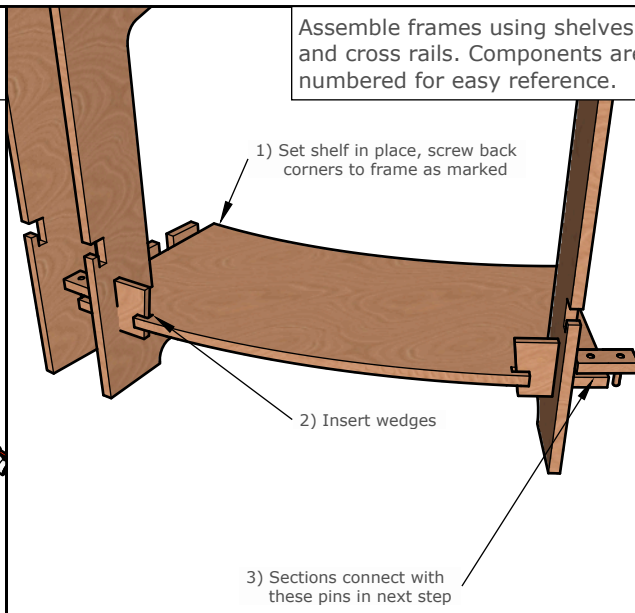


6' Ellipse 29 Shown)

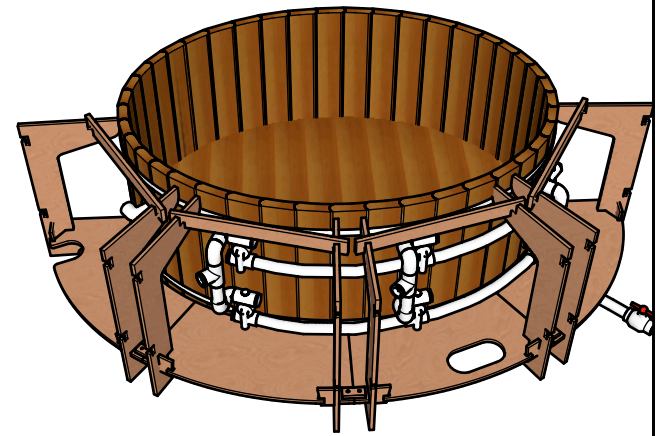
Install tub-side plumbing.



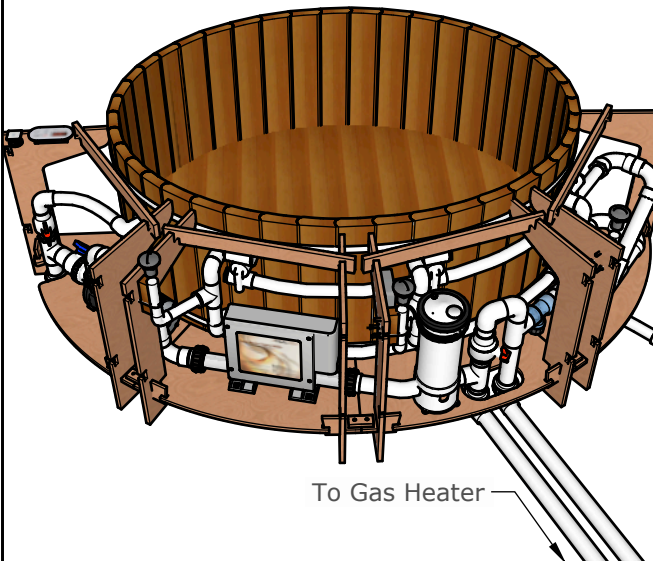
Assemble frames using shelves and cross rails. Components are numbered for easy reference.



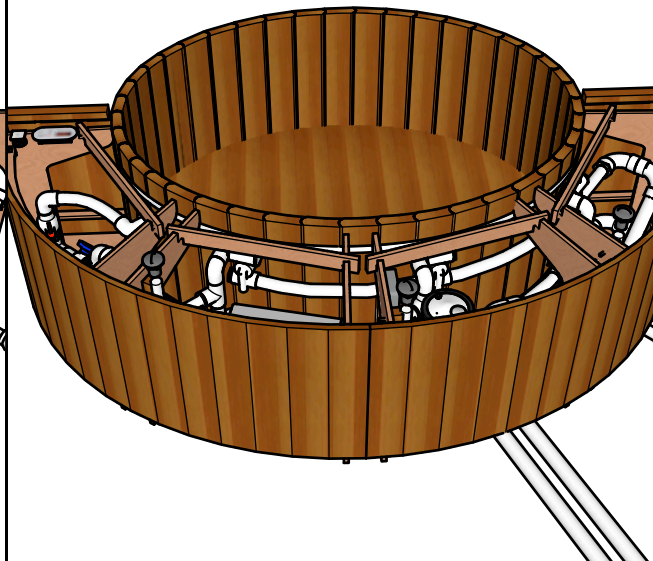
Place sections around tub and join sections with pins. Set the deck sections on the frames to check spacing to tub. When spacing is correct, screw brackets to tub and shelf.



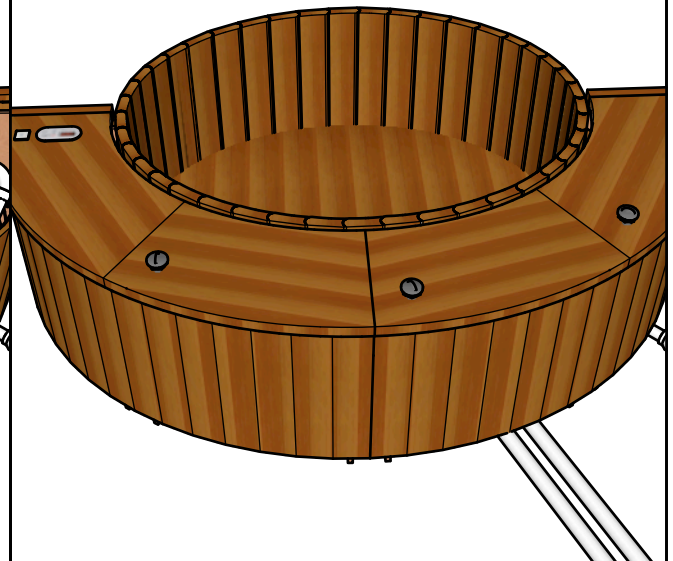
If installing plumbing within surround, assemble plumbing components. The 29" depth is shown; taller tubs provide more room to work with.



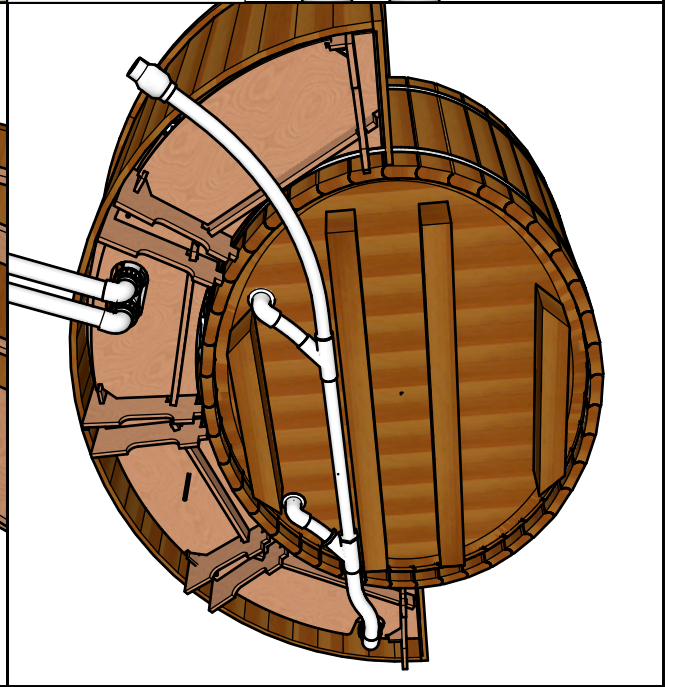
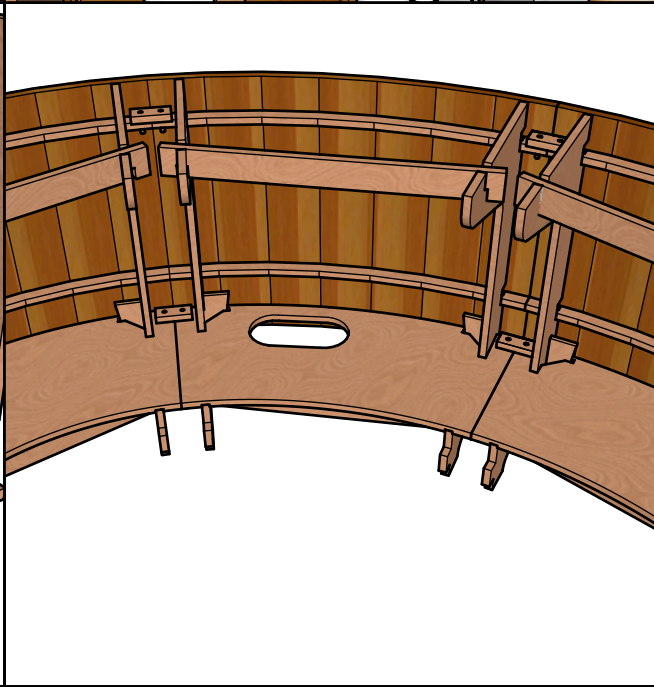
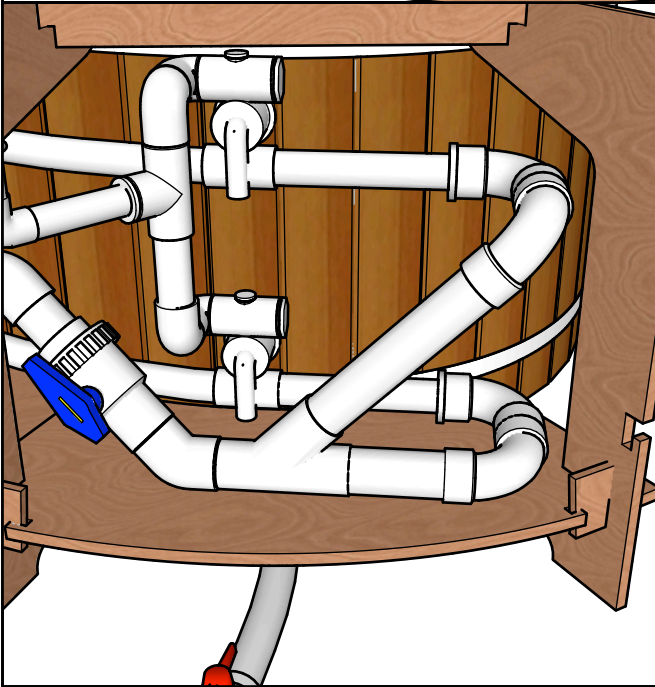
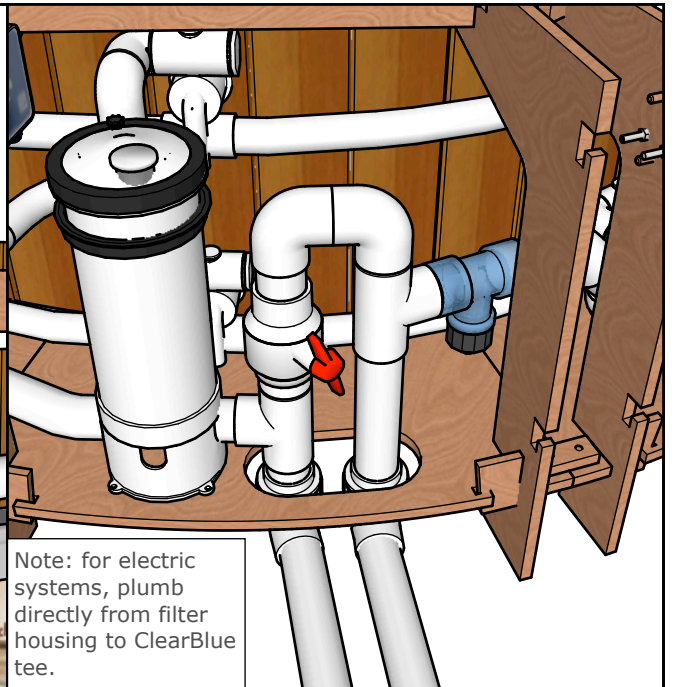
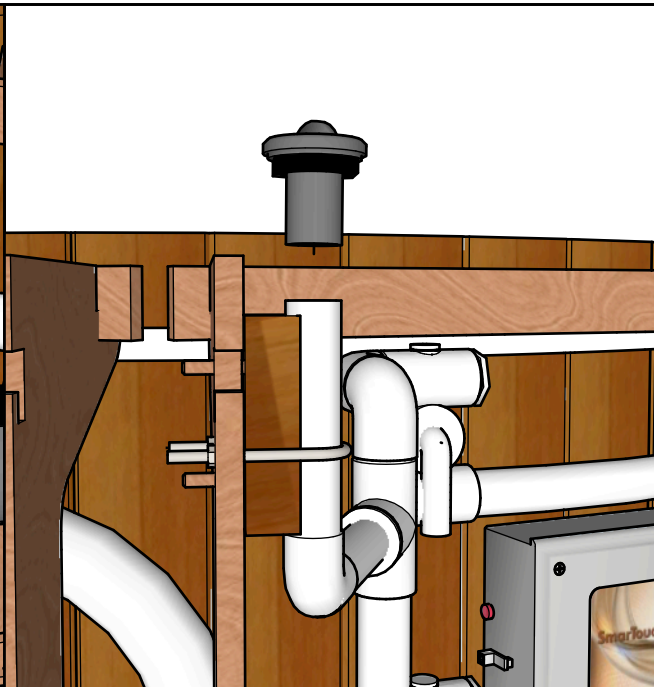
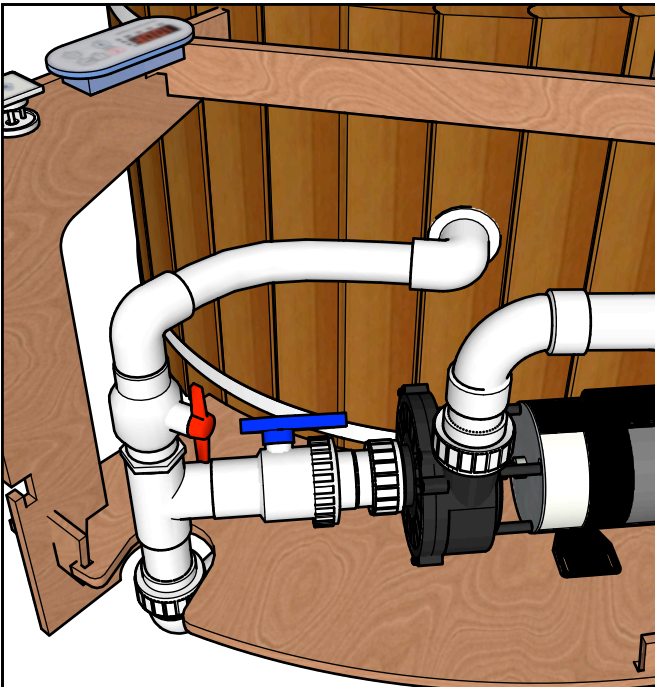
Hang skirting panels onto the hooks cut into the frames. Secure skirting panels to each other with additional connector pins.



Install the deck sections to complete the assembly.



### Zen Bathworks Hot Tub Surround Assembly Instructions



## Zen Bathworks Hot Tub Surround Assembly Instructions

November 1, 2023 ::

Revision 1